

ADA CAMERA MOUNT

for Logitech BRIO



ADA Camera Mount for Logitech BRIO

Quickly deploy Logitech BRIO cameras with ADA compliance in huddle rooms throughout the enterprise.

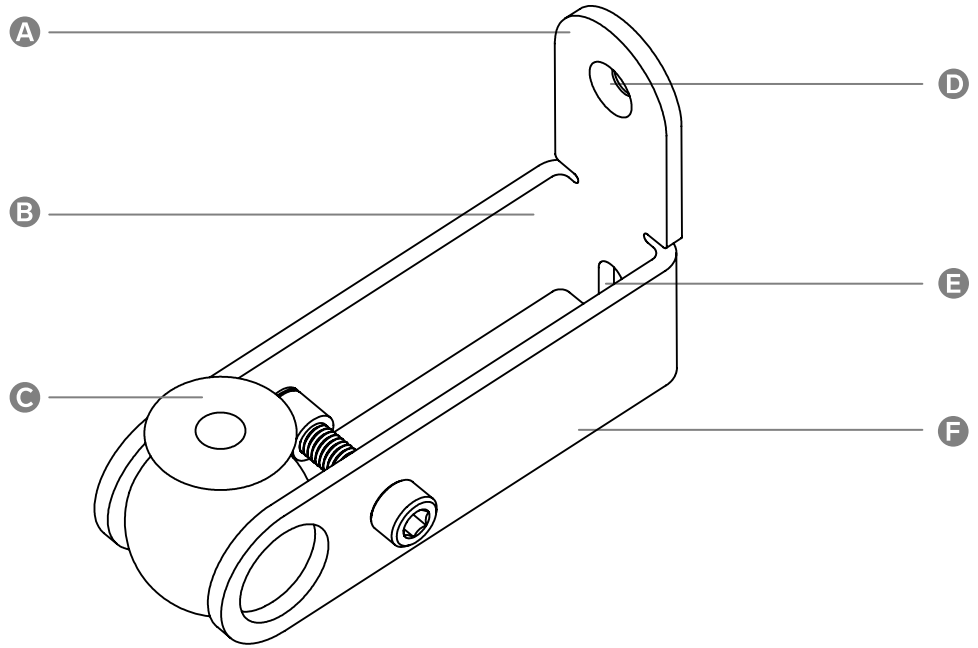
ADA CAMERA MOUNT

H587

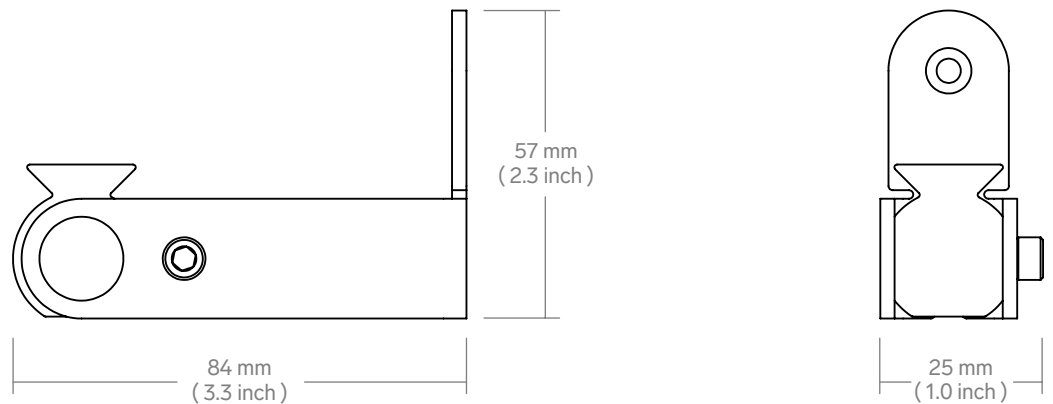
for Logitech BRIO

Features

- A Heavy steel construction
- B Scratch & fingerprint-resistant Powdercoat finish
- C Patented ball pan/tilt/roll ball joint
- D Single-screw wall mounting
- E Wall pass-through for USB-C cable
- F Pan/tilt/roll position set screw



Dimensions



ADA CAMERA MOUNT

H587

for Logitech BRIO

Specifications

Price	\$69
SKU	H587
Height	2.3 inches
Width	1.0 inches
Depth	3.3 inches
Weight	0.3 lbs
Warranty	2 years

Colors

Name	SKU
Black Grey	H587-BG

Compatible Devices

Logitech BRIO

In the Box

ADA Camera Mount
Assembly tools
Drywall anchor

Accessories

H523 - Zoom Rooms Console for iPad
H529 - Zoom Rooms Console for iPad mini
H526 - Multi Mount for iPad
H527 - Multi Mount for iPad mini